

Shenzhen Xaori Technology Co.,Ltd

(高精度数字式压力开关)



2020·01·20

Pressure switch

High-precision digital voltage switch

Characteristics:

1. Clever product design

-The high-pressure and low-pressure buttons have different colors, making them easy to identify. Orange means high pressure and blue means low pressure.

2. Single-line parameter copy function

- Reduce set-up time
- Avoid human error
- Suitable for batch applications

3. Easy-to-read target value

-The set pressure target value is displayed on the secondary screen, and the main screen displays the real-time pressure value, which helps to read the pressure target value at any time

4. Main screen three-color display

-Three-color display can highlight different working status, users can set content and backlight display mode

5. OPS quick setting

- Dual-screen display can directly set parameters, and the setting steps can be reduced by 3/4



6. Screen display value fine-tuning function

- Eliminate tiny errors
- Adapt to special occasions

7. Air pressure unit can be switched

- Setable measurement unit: kPa, MPa, kgf/cm², bar, psi, inHg, mmHg

8. More intuitive letter display

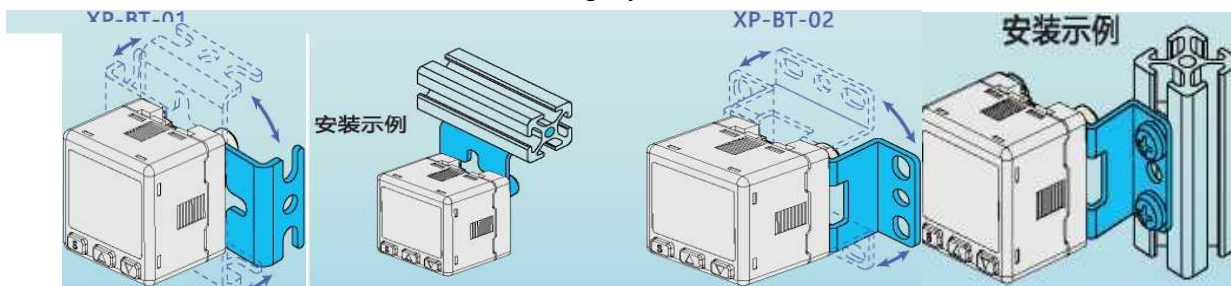
Use more complex  character display, than traditional 

The characters are more flexible, 26 English letters can be displayed intuitively, and you can operate without reading the manual!

Convenient installation method:

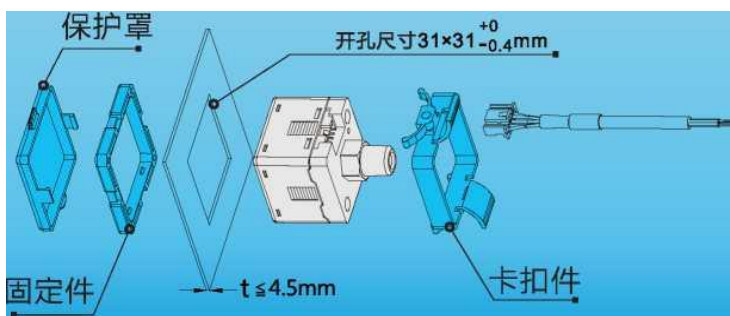
Installation method 1 -Two kinds of bracket installation

Select the matching mounting bracket (XP-BT-01/02)1 gate for assembly, with the tightening torque less than 0.5N-m and the screw specification of M3*6.
 It can be installed in four directions and can be tightly installed.



Installation mode 2 panel installation

Select the matching panel mounting bracket (XP-PA-01)[aP1] for assembly. The complete panel mounting bracket includes three accessories, such as fasteners, fasteners and panel protective cover, which can be flexibly matched according to actual needs.



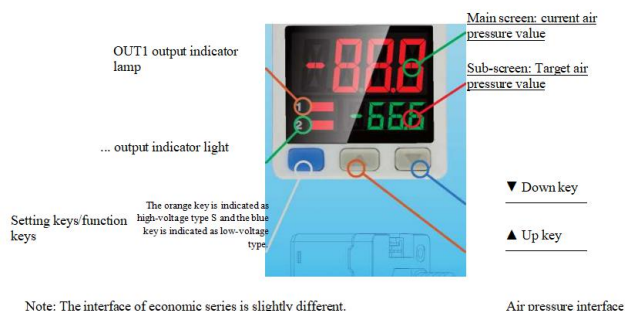
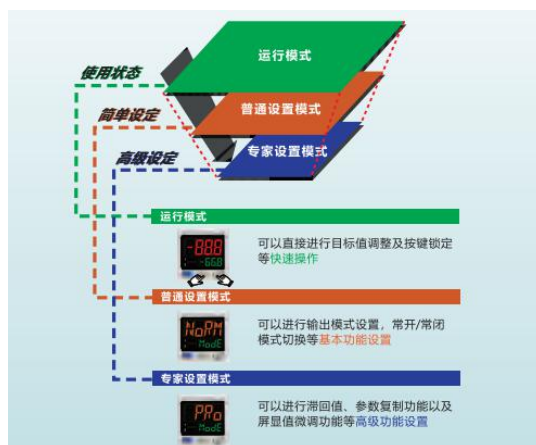
【 Note 】

The above are optional accessories, which need to be selected separately when ordering

operator modes

Operation modes are divided into three levels according to the frequency of use.

The operation mode of daily use status is "running mode", the basic function is set to "normal setting mode", and the advanced (depth) function is set to "expert setting mode". Grading according to the frequency of daily use, as shown in the figure below, from top to bottom, the frequency of use decreases in turn, which makes the use of products easier and easier to understand.



type		APS-002 (high pressure type)	APS-001 (low pressure type)	APS-00/20 2 (high pressure type)	APS-00/20 1 (low pressure type)	APS-15/25 2 (high pressure type)	APS-15/25 1 (low pressure type)
Rated pressure range		-0.101~1.000MPa	-101.3~101.3kPa	-0.101~1.000MPa	-101.3 ㄱ 01.3kPa	-0.101~1.000MPa	-101.3~101.3kPa
Set the pressing		-0.10E.000MPa	-101.0~101.0kPa	-0.100~1.000MPa	-101.0 ㄱ 01.0kPa	-0.100 ㄱ.000MPa	-101.0~101.0kPa
Maximum withstand		1.5MPa	500kPa	1.5MPa	500kPa	1.5MPa	500kPa
Applicable gas		Non-corrosive gas, non-flammable gas, in accordance with IS 08573-1: 2010 [7: 4: 4]					
Power supply		10% of 12-24VDC soil					
Consumption		Under 45mA (no load)					
Different pressing units	kPa	—	0.1	one	0.1	one	0.1
	MPa	0.001	—	0.001	one	0.001	one
	kgf/cm2	0.01	0.001	0.01	0.001	0.01	0.001
	Explicit resolution	bar	0.01	0.001	0.01	0.001	0.01
under	P 01	0.1	0.01	0.1	0.01	0.1	0.01
	mmHg	one	0.1	one	0.1	one	0.1
	inchHg	one	one	one	one	one	one
Comparison output 【 Note 】 1		Open collector output PNP open collector output Maximum load current: 100mA maximum load current: 100mA Maximum supply voltage: 30VDC Maximum supply voltage: 24VDC					
Voltage analog output 【 Note 】 1		Output voltage: 1 ~ 5v 2.5% f.s. linearity: 1% f.s. output impedance: about 1KQ		Output voltage: 5 v 2.5% F.S. linearity: 1% F.S. 。 Output impedance: about 1KQ		without	
Current analog output [Note] 1		without		Output current: 4 ~ 20mA 2.5% F.S. Performance: 1% F.S. 。 Load: 50Q minimum		without	
MODBUS function 【 Note 】 2		without				have	
Display accuracy		±1%F.S. □digits (service temperature 25 10 ㄱ)					
repeatability		±0.2%F.S. ±2digits					
Reaction time		2.0 ms, 50 ms, 100 ms, 250 ms, 500 ms, 2000 ms optional		1ms [note] 3, 2.0ms, 50ms, 100ms,		2.0 ms, 50 ms, 100 ms, 250 ms, 500 ms, 2000 ms optional	
show		3-color (red, orange, yellow-green) display (sampling rate: 4 times z seconds)					
Temperature		Within 1% F.S., the comparative reference temperature is 25 C (within the range of 0 ~ 50 ㄱ)					
operational environment		0 ~ 50 C (no condensation or freezing); 35~85%RH (anhydrous dew)					
Save the environment		-10 ~ 50 C (no condensation or freezing); 35~85%RH (anhydrous dew)					



Shenzhen Xaori Technology Co.,Ltd

深圳市骁锐科技有限公司

the protection grades	IP40/IP65*(NP-20 and NP-25 series support IP65 level)	
Nozzle diameter	External thread: R1/8 (Asian standard, namely PT1/8),G1/8 (European standard), NPT1/8 (North American standard) Internal thread: M5	
weight	About 70g (including power	About 85g (including power cable)
attachment	1 power cable with terminal and 1 manual.	

Aalibab:<https://xaori.en.alibaba.com/?spm=a2700.7756200.0.0.7c9871d2r1CZI>

Tel: +86-0755-29898410 /+86-0755-29898460

Email: ron@xaori.net

Address: Kunhong Building, No. 38, Xinhe Avenue, Xinqiao Community, Shajing Street,
Baoan District, Shenzhen, Guangdong, China